



Solar Charge Controller Owner's Manual

SC 1210
SC 1210LD
SC 1220LD

For safe and optimum performance, the Solar Charge Controller must be used properly. Carefully read and follow all instructions and guidelines in this manual and give special attention to the **CAUTION** and **WARNING** statements.

Disclaimer

While every precaution has been taken to ensure the accuracy of the contents of this guide, **KISAE Technology** assumes no responsibility for errors or omissions. Note as well that specifications and product functionality may change without notice.

Important

Please be sure to read and save the entire manual before using or installing your Solar Charge Controller. Misuse may result in damage to the unit and/or cause harm or serious injury. Read manual in its entirety before using the unit and save manual for future reference.

Service Contact Information

Email: info@kisaetechnology.com

1. INTRODUCTION

Thank you for purchasing the KISAE Solar Charge Controller. With our state of the art, easy to use design, this product will offer you a reliable service to convert your PV solar energy to charge you battery in an effective and efficient way. It also protects your battery from overcharge by the PV or over discharge (LD model only) through the DC load connected.

2. PRODUCT DESCRIPTION

The KISAE Solar Charge Controller package includes the items list below.

- Solar Charger controller
- Owner's manual

3. Important Safety Instructions

This section contains important safety information. Before installing or using the unit, READ ALL instructions and cautionary markings on or provided. The unit contains no user-serviceable parts. See Warranty section for how to handle product issues.

FIRE AND/OR CHEMICAL BURN HAZARD

- Do not cover or obstruct any air vent openings and/or install in a zero-clearance compartment.

FAILURE TO FOLLOW THESE INSTRUCTIONS CAN RESULT IN DEATH OR SERIOUS INJURY

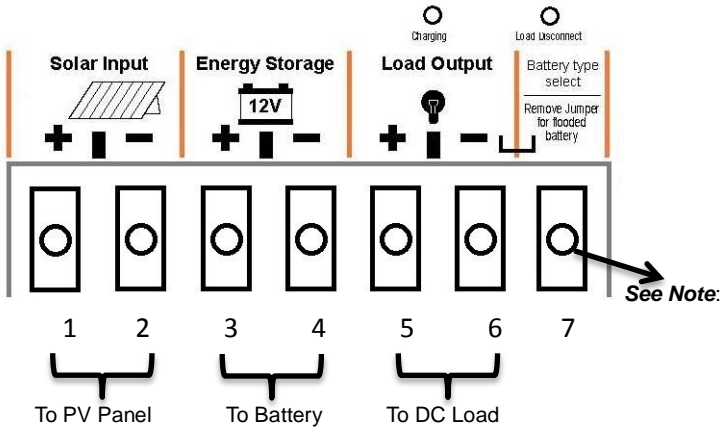
- When working with electrical equipment or lead acid batteries, have someone nearby in case of an emergency.
- Wear eye protection and gloves.
- Avoid touching your eyes while using this unit.
- Keep fresh water and soap on hand in the event battery acid comes in contact with eyes. If this occurs, cleanse right away with soap and water for a minimum of 15 minutes and seek medical attention.
- Batteries produce explosive gases. **DO NOT** smoke or have an open spark or fire near the system.
- Keep unit away from moist or damp areas.
- Avoid dropping any metal tool or object on the battery. Doing so could create a spark or short circuit which goes through the battery or another electrical tool that may create an explosion.

WARNING: Explosion hazard!

- DO NOT use the unit in the vicinity of flammable fumes or gases (such as propane tanks or large engines).
- Prolonged contact to high heat or freezing temperatures will decrease the working life of the unit.
- Use only with 12 V battery and do not exceed the voltage and current ratings of the unit.
- Use only with PV array rated for 12V battery. Do not short circuit the PV array and or the load while connected to the unit. This will permanently

- damage the unit.
- Protect the unit from direct sunlight.
- Unit should be properly grounded. Grounding should comply with local codes.
- Do not connect and disconnect the unit when the circuit is live.

4. Understanding the unit



The first pair of screw terminals is the input terminal for solar panel connection. The second pair of screw terminals is the bi-directional terminal used for battery connection. This acts as an output terminal for battery charging from the PV panel through the unit and acts as an input terminal for battery discharging to DC load through the controller.

The third pair of screw terminals is the output terminal for DC load connection.

Note: Use the jumper provided to connect terminal 6 and 7 for sealed battery type.

'Charging' green indicator turns on when PV solar panel provides enough energy for battery charging. It turns off when sunlight is not available or insufficient to charge the battery.

'Load Disconnect' indicator (LD models only) turns on when battery charge is low and the Load Output is disconnected from the battery. The Load Output will automatically reconnect when the battery voltage is charged to above 12.6V.

5. Installation Instructions

CAUTIONS: Please verify the rating of the PV panel size, battery voltage type and the total power consumption of the DC load before installing the unit.

SC 1210 12V, 10 ADC

SC 1210LD 12V, 10 ADC with load disconnected

SC 1220LD 12V, 20 ADC with load disconnected

Step 1: Select Battery type

- Factory default setting with jumper installed is for sealed battery type. For the use of flooded battery, remove the installed jumper.

Step 2: Connecting a 12V battery

- Connect '-' terminal of Energy Storage (pin 4) on unit to 12V battery negative terminal
- Connect '+' terminal of Energy Storage (pin 3) on unit to 12 V battery positive terminal

Step 3: Connecting a PV panel

- Connect '-' terminal of Solar Input (pin 2) on unit to PV panel negative terminal
- Connect '+' terminal of Solar Input (pin 1) on unit to PV panel positive terminal

Step 4: Connecting a DC load

- Connect '-' terminal of Load Output (pin 6) on unit to PV panel negative terminal
- Connect '+' terminal of Load Output (pin 5) on unit to PV panel positive terminal

Note: Maximum wire size of AWG#10 can be used on the terminal and tighten the screws snugly.

6. Operation and Maintenance

The unit is fully automatic and no unit setting is required once it is installed properly. It is recommended to verify the state of charge of the battery regularly and to verify that the load connected to the unit is not over rated for the unit. It is also recommended to verify that the power consumption on the load is less than the PV panel can produce.

The following periodic inspections and maintenance tasks are highly recommended for best performance.

- Check for any rusting or corrosion around the battery terminals
- Verify the PV panels and loads connected do not exceed the unit rating
- Tighten all the 7 terminal screws and inspect for any loose, broken or burnt wire connections.
- Ensure PV panel is mounted properly and is placed in the right position. Check for any dirt, debris and corrosion on the panel.
- Periodically clean solar panels with water and do not use chemicals

7. Troubleshooting

No Output:

- Check DC load terminal connection. Connection may be loose or disconnected.
- Check connection polarity. Reverse polarity on any terminals will damage unit and is not covered by warranty.
- Verify battery voltage is not too low.
- For LD model, check Load disconnect LED is ON. Verify battery voltage is above 12.6V.

Battery did not charge:

- Verify the PV panel is functioning properly. Check for poor connection on the PV panel
- Verify PV panel is not blocked by any surrounding tall objects. Check the PV panel surrounding area.
- Check PV and battery connection. Loose connection will reduce unit performance.

- Check connection polarity. Reverse polarity on any terminals will damage unit and is not covered by warranty.
- Verify the DC load consumption. The power consumed by the DC load should be less than the PV panel generates.

8. Specifications

	SC 1210	SC1210LD	SC1220LD
Battery Voltage:		12 VDC	
PV open circuit voltage (max):		26 VDC	
Charge current (max):	10 A	10 A	20 A
Load current (max):	10 A	10 A	20 A
Surge Current (max)	35A for 1 min	35A for 1 min	40A for 1 min
Operational current:	< 10 mA	<10 mA	<15 mA
Regulated battery voltage			
Sealed type:		14.2 VDC	
Flooded type:		14.6 VDC	
Load disconnect voltage:	N/A	< 11.5 VDC	< 11.5 VDC
Load re-connect voltage:	N/A	12.6 VDC	12.6 VDC
Recommended wire size:	# 12 AWG	# 12 AWG	# 10 AWG
Operating temperature		- 40 C to 60 C	
Dimensions (L x W x H)		4.1 x 4.1 x 1.3 in	
Weight:	0.28 kg	0.32 kg	0.35kg

9. Warranty

One Year Limited Warranty

The limited warranty program is the only one that applies to this unit, and it sets forth all the responsibilities of KISAE. There is no other warranty, other than those described herein. Any implied warranty of merchantability of fitness for a particular purpose on this unit is limited in duration to the duration of this warranty.

This unit is warranted, to the original purchaser only, to be free of defects in materials and workmanship for one year from the date of purchase without additional charge. The warranty does not extend to subsequent purchasers or users.

Manufacturer will not be responsible for any amount of damage in excess of the retail purchase price of the unit under any circumstances. Incidental and consequential damages are specifically excluded from coverage under this warranty.

This unit is not intended for commercial use. This warranty does not apply to damage to units from misuse or incorrect installation/connection. Misuse includes wiring or connecting to improper polarity power sources.

RETURN/REPAIR POLICY:

If you are experiencing any problems with your unit, please contact our customer service department at info@kisaetechnology.com before returning product to retail store. After speaking to a customer service representative, if products are deemed non-working or malfunctioning, the product may be returned to the purchasing store within 30 days of original purchase. Any defective unit that is returned to manufacturer within 30 days of the date of purchase will be replaced free of charge.

If such a unit is returned more than 30 days but less than one year from the purchase date, manufacturer will repair the unit or, at its option, replace it, free of charge. If the unit is repaired, new or reconditioned replacement parts may be used, at manufacturer's option. A unit may be replaced with a new or reconditioned unit of the same or comparable design. The repaired or replaced unit will then be warranted under these terms for the remainder of the warranty period. The customer is responsible for the shipping charges on all returned items.

LIMITATIONS:

This warranty does not cover accessories, such as adapters and batteries, damage or defects result from normal wear and tear (including chips, scratches, abrasions, discoloration or fading due to usage or exposure to sunlight), accidents, damage during shipping to our service facility, alterations, unauthorized use or repair, neglect, misuse, abuse, failure to follow instructions for care and maintenance, fire and flood.

If your problem is not covered by his warranty, call our Customer Service Department at info@kisaetechnology.com for general information if applicable.

