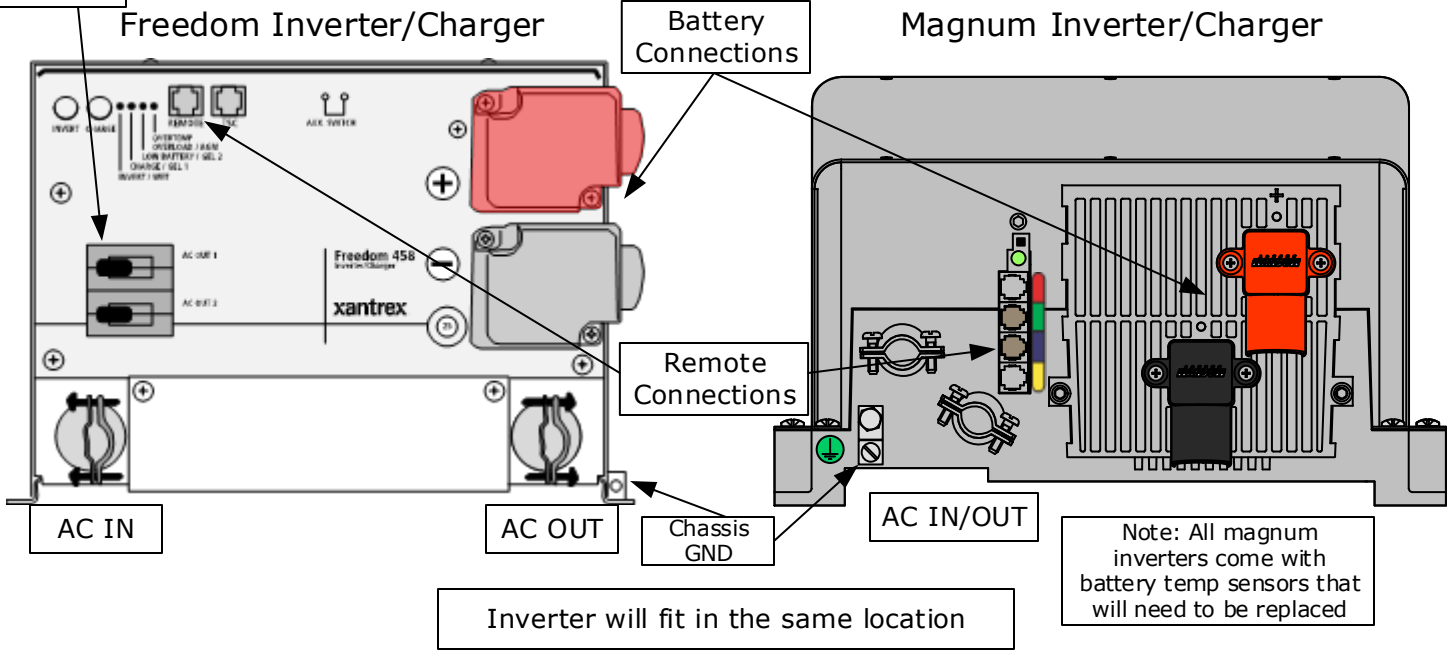


# MAGNUM DIMENSIONS

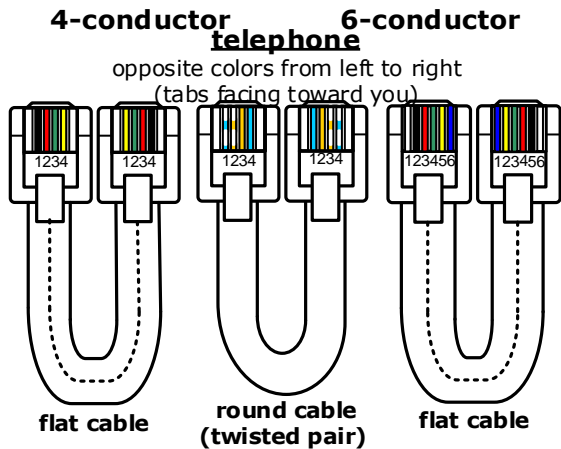
## Replace your Freedom With a Magnum

| Identify your Freedom     | Choose your Magnum        |                       |
|---------------------------|---------------------------|-----------------------|
| <b>Modified Sine Wave</b> | <b>Modified Sine Wave</b> | <b>Pure Sine Wave</b> |
| Freedom 458 -10           | MM1212                    | MMS1012               |
| Freedom 458 -15           | MM1212 or ME2012          | MS2012                |
| Freedom 458 -15D          | MM1212 or ME2012-20B      | MS2012-20B            |
| Freedom 458 -20           | ME2012                    | MS2012                |
| Freedom 458 -20D          | ME2012-20B                | MS2012-20B            |
| Freedom 458 -25           | ME2512                    | MS2812                |
| Freedom 458 -30           | ME3112                    | MS2812                |

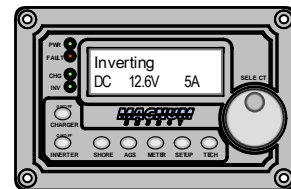
Optional Output Breakers



Use the same Telephone Cable already routed in the coach!



Remotes fit in the same cutout



All units field repairable!

Up to a 3 Year Warranty

Additional product information featured in Magnum | Dimensions product manual

