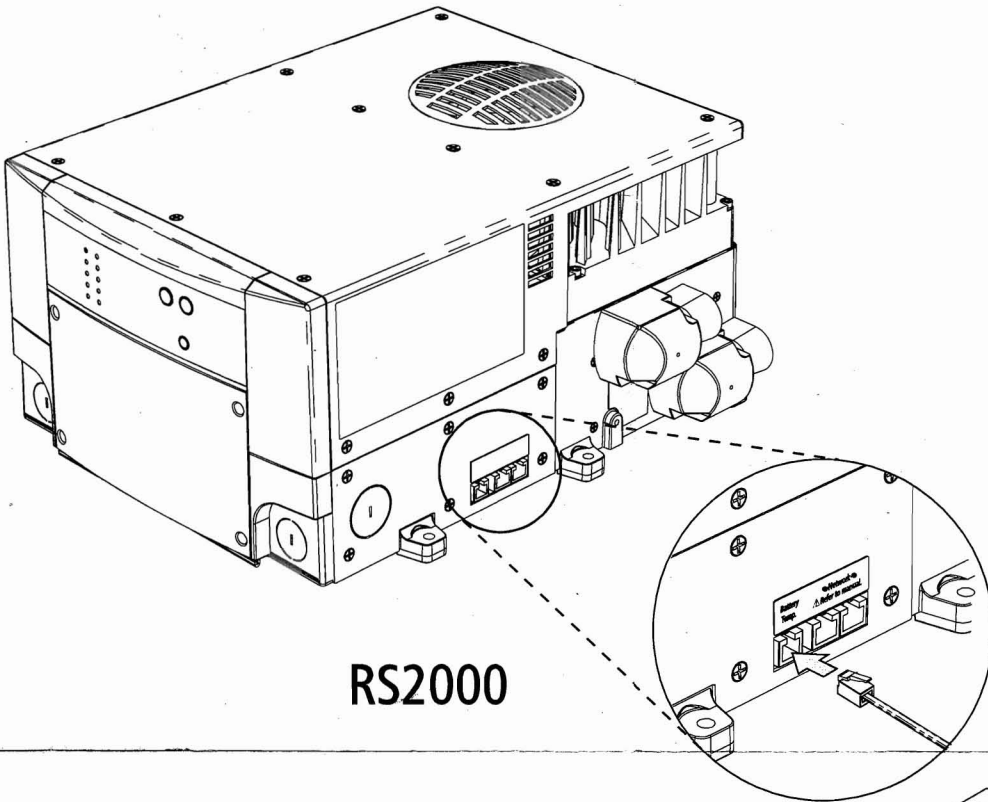
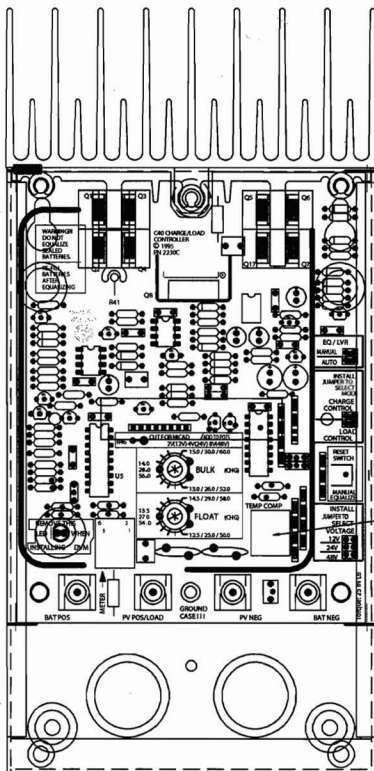


# BATTERY TEMPERATURE SENSOR INSTALLATION INSTRUCTIONS

**xantrex™**

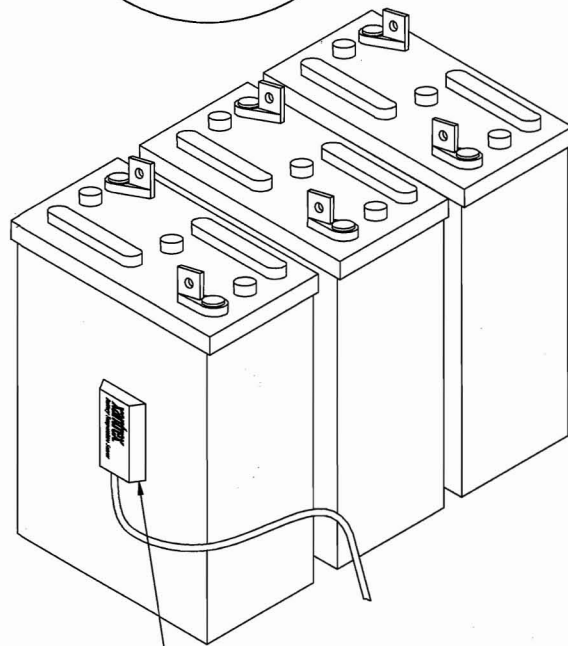


**RS2000**



**C40**

BTS Jack



Peel off backing and stick to a clean flat surface. The exact location is not critical.

Xantrex Technology Inc.  
 Telephone: 1 800 670 0707 (toll free North America), 1 360 925 5097 (direct)  
 Fax: 1 800 994 7828 (toll free North America), 1 360 925 5143 (direct)  
 Email: customerservice@xantrex.com  
 Web: www.xantrex.com