



Features

Cooper Bussmann's inverter is designed to provide clean, reliable AC power in a commercial truck application. Featuring a True Sine Wave output, the inverter is able to power all electrical loads; including sleep apnea machines, tools, motors and other demanding electrical devices. Cooper Bussmann's inverter is designed and tested to meet SAE environmental and EMC Standards.

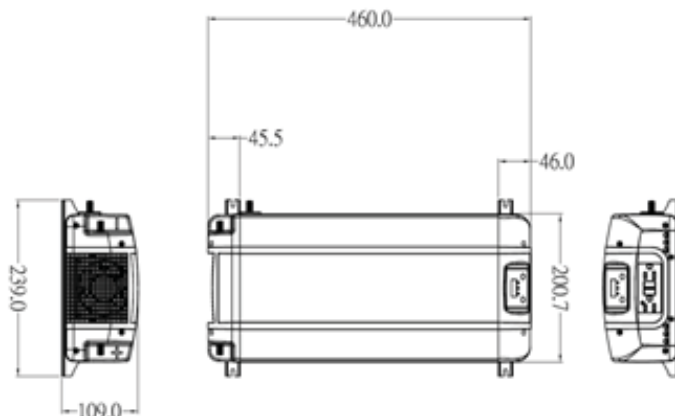
When shore power is available, a built-in 20-amp relay will automatically transfer to incoming AC utility power. This feature minimizes battery discharge and provides seamless integration with the electrical system, eliminating the need for an external transfer switch.

The Cooper Bussmann Inverter offers an optional 12V battery charger. The battery charger provides the 12V battery three user selectable charging profiles - constant current, constant voltage and float mode - optimizing the charge to the battery type on your vehicle.

- True Sine Wave output
- Remote mounted user interface control panel
- Integrated AC transfer switch
- Optional Battery Charger
- Surge current of twice the rated output
- UL Listed
- CSA Approved
- Battery over voltage and under-voltage protection
- Over temperature shutdown
- Automatic over load protection
- Short Circuit protection
- Ground fault protection
- Optional AC input and output connectors
- Adjustable low voltage disconnect

Cooper Bussmann True Sine Wave Inverter

Dimensions



TS-12-110-1800 and TS-12-110-1800-BC

Agency Approvals

- UL 458 Listed
- CSA C22.2 Approved

Part Numbers

Description	Part Number
1000W Inverter	12-110-1000
1000W Inverter with 20A battery charger	12-110-1000-B2
1000W Inverter with 40A battery charger	12-110-1000-B4
1800W Inverter	12-110-1800
1800W Inverter with 40A battery charger	12-110-1800-B4

Specifications

Inverter:

- Input Voltage: 11.0-16.0 VDC (nominal 12VDC)
- AC Output Voltage: 115VAC
- Output Waveform: Sine Wave
- Output Frequency: 60Hz
- Efficiency: 87% (full load efficiency may be less)
- No-load Current draw (Idle Mode): <0.9A
- Off mode Current draw (Display off): <0.5mA
- Cooling Mechanism: Fan Cooling
- UL 458 listed, CSA C22.2, No. 107.1

AC Transfer Switch:

- 20A transfer switch standard on all models.
- AC Mains Monitoring for failure detection.
- On Mains Failure, automatic turn ON inverter, transfer to inverter and regulate Output.
- Monitor Mains Input voltage, Output voltage and computing output power to display on front panel.

Battery Charger:

- Input voltage: 95-135VAC (Nominal 115VAC) @ 60Hz
- Output Current:
 - o 0-40Amps
 - o 0-20Amps
- Efficiency: >80% @ 25°C
- Type of Charging: Constant current, constant voltage and float charging
- Internal temperature compensation

Protection:

- Battery over voltage and under-voltage protection
- Over temperature shutdown
- Automatic over load protection
- Short Circuit protection
- Ground fault protection

User Interface:

- Charge profiles
- Low voltage setpoint
- Fault mode
- Etc