

KR3000/KR4000

POWER INVERTER

110 VOLT

USER'S MANUAL



E113479
Complies with UL 458
CSA C22.2 No. 107.1

Please read this manual carefully before operation

Toll free: 1 866 295 6775

www.kriegermfg.com

© 2014 Krieger Krieger and other marks, including graphics, are trademarks of Bright Manufacturing LLC

Printed in China

Welcome

Please read this manual thoroughly before installing and operating your new Krieger® Power Inverter. This manual contains information you need to obtain the performance required for your application. Keep this manual for future reference.

This Krieger® Inverter converts low voltage, direct current (DC) to 110 volt modified sine wave (MSW) alternating current (AC). The inverter draws power from 12 volt, deep-cycle batteries such as those used for marine, golf cart, and fork-lift or from other high current 12 volt sources.

This model, KR3000 / KR4000, has been performance tested by MET and complies with Underwriter's Laboratories and Canadian Standards Association safety standards.

A Higher Wattage Inverter May Be Required

To determine whether the Krieger® KR3000 / KR4000 will operate a particular appliance or a combination of appliances, run a test. All inverters are designed to automatically shut down in the event of a power overload. This protection feature prevents damage to the unit while running appliances with combined wattages below the 3000 / 4000 watt range. Turn on the highest wattage appliance first then other appliances. If an appliance combination in the 3000 / 4000 watt range will not operate properly, then it is likely that this Krieger® inverter does not have the required capacity to operate the appliance in question.

WARNINGS, CAUTIONS AND NOTES

It is very important that any operator and installer of this inverter read and follow all **WARNINGS, CAUTIONS AND NOTES** and all installation and operation instructions. In particular, comply with **WARNINGS** (possibility of serious injury or death), **CAUTIONS** (possibility of damage to the inverter and / or other equipment), and **NOTES** (included to assist you in achieving the maximum performance and longest working life from this advanced-design inverter).

WARNINGS: INVERTER OUTPUT

This is a heavy-duty device that produces voltages similar to commercial AC power.

- Danger of shock or electrocution - treat inverter output the same as commercial AC power.
- Do not use the inverter near flammable materials or in any locations that may accumulate flammable fumes or gases. This is an electrical device that can briefly spark when electrical connections are made or broken.
- Do not allow water or other liquids to contact the inverter.
- Do not use appliances with damaged or wet cords.

CAUTIONS: INVERTER OPERATING ENVIRONMENT

- Surrounding air temperature should be between 4°F and 104°F (-20°C and 40°C) – ideally between 60°F and 80°F (15°C and 25°C).
- Keep the inverter away from direct sunlight if at all possible.
- Keep the area surrounding the inverter clear to ensure free air circulation around the unit. Do not place items on or over the inverter during operation. The unit will shut down if the internal temperature gets too hot. Restart the inverter after it cools.
- This Krieger® inverter will only operate from a 12V power source. Do not attempt to connect the inverter to any other power source, including any AC power source.
- Do not reverse DC input polarity – this will void the warranty.

APPLIANCE CAUTIONS

- Do NOT plug in battery chargers for cordless power tools if the charger carries a warning that dangerous voltages are present at the battery terminals.
- Certain chargers for small nickel-cadmium or nickel-metal-hydride batteries can be damaged if powered by this inverter. Two types of appliances are susceptible to damage:
 - Small, battery-operated appliances such as flashlights.
 - Cordless razors and toothbrushes that plug directly into an AC receptacle.
- Do NOT use this inverter with the above two types of equipment.
- The majority of portable appliances do not have this problem. Most portable appliances use separate transformers or chargers that plug

into AC receptacles to supply a low-voltage DC or AC output to the appliance. If the appliance label states that the charger or adapter produces a low-voltage DC or AC output (30 volts or less), there will be no problem powering that charger or adapter.

- Some fans with synchronous motors may slightly increase in speed (RPM) when powered by the inverter. This is not harmful to the fan or to the inverter.
- Route appliance cords and extension cords to prevent accidental pinching, crushing, abrading and tripping people.
- Use safety approved extension cords rated at 15 amps or higher.
- GFCI devices may not work with modified sine wave (MSW) power.
- This inverter is not tested for use with medical equipment.
- This inverter is not tested for use in marine applications.
- In the event of a continuous audible alarm or automatic shut down, turn the inverter OFF immediately. Do not restart the inverter until the source of the problem has been identified and corrected.
- When attempting to power lead acid battery chargers, with modified sine wave, monitor the temperature of the battery charger for approximately 10 minutes. If the battery charger becomes abnormally warm, immediately disconnect it from the inverter.

Getting Started

When a motorized appliance or a tool turns on, there is an initial surge of power to start. This surge of power is referred to as the "starting load" or "peak load." Once started, the tool or appliance requires less power to operate. This is referred to as the "continuous load" in terms of power requirements. You will need to determine how much power your tool or appliance requires to start up (starting load) and its continued running power requirements (continuous load).

Power consumption is rated in watts, or it can be calculated from amperes (amps). This information is usually stamped or printed on most appliances and equipment. If this information is not indicated on the appliance or equipment, check the owner's manual. For electrically sensitive equipment, contact the manufacturer to determine if the device you are using is compatible with modified sine wave AC.

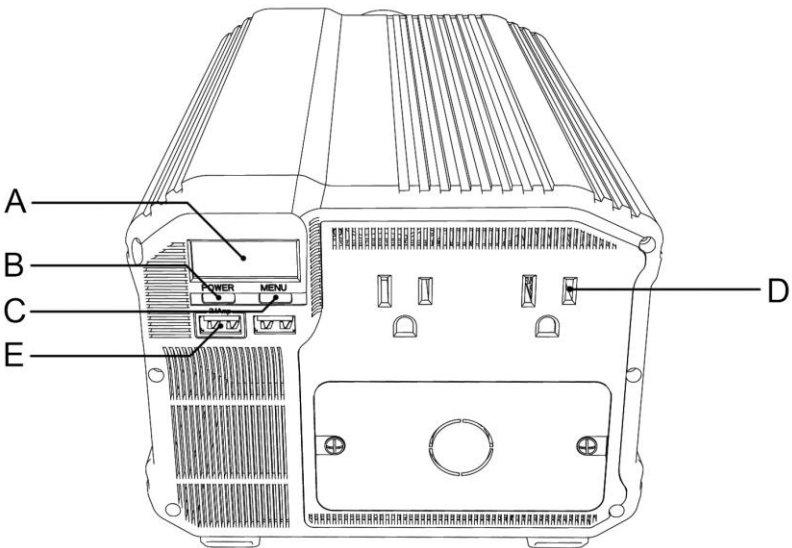
Multiply: **AC AMPS X 110** (AC voltage) = **WATTS**

This formula yields a close approximation of the continuous load of your appliance.

Multiply: **WATTS X 2** = Starting Load for most appliances

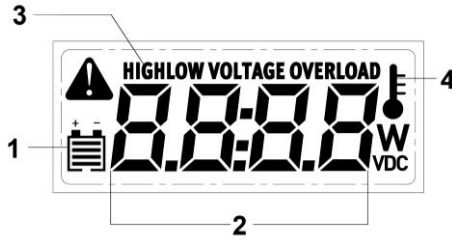
This formula yields a close approximation of the starting load of most appliances. Exceptions are motorized appliances such as pumps, freezers and air conditioners. These appliances can have startup loads of up to eight times the rated watts.

Front Panel KR3000 / KR4000



- A. LCD Digital Display (See LCD Diagram on Next Page).
- B. POWER Button: Pressing the button turns the inverter circuits ON and OFF.
- C. MENU Button: Pressing the button will change the display between OUTPUT WATTAGE or INPUT VOLTAGE.
- D. Two standard North American AC outlets, each rated at 15 Amps (1650 Watts).
- E. Two USB Ports (2.1 Amp shared): Allows the user to power one or two single 2.1A-compatible tablet devices or two 1A USB-charging devices, such as cell phones.

LCD Diagram



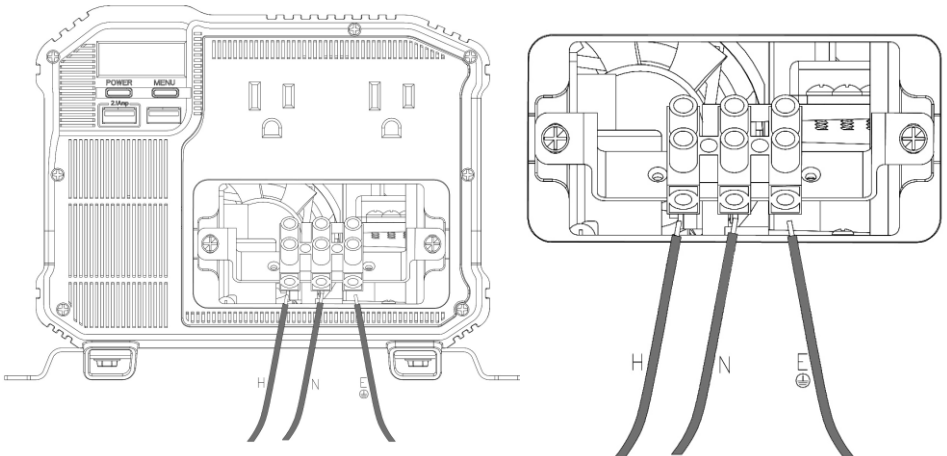
1. Battery Level.
2. Output wattage (W) or input voltage display (VDC).
3. Warning indicator –
 - a. High voltage
 - b. Low voltage
 - c. Voltage overload.
4. Temperature shutdown.

Hardwire Instructions KR3000 / KR4000

First make sure unit is completely disconnected from any power source and main power is completely OFF. Begin by unscrewing the front plate which is located under the 2 x AC outlets at the front of the inverter.

You will then see the 3 connecting terminals, as illustrated below:

H: HOT
N: NEUTRAL
E: EARTH (GROUND)



The recommended Gauge wires are:

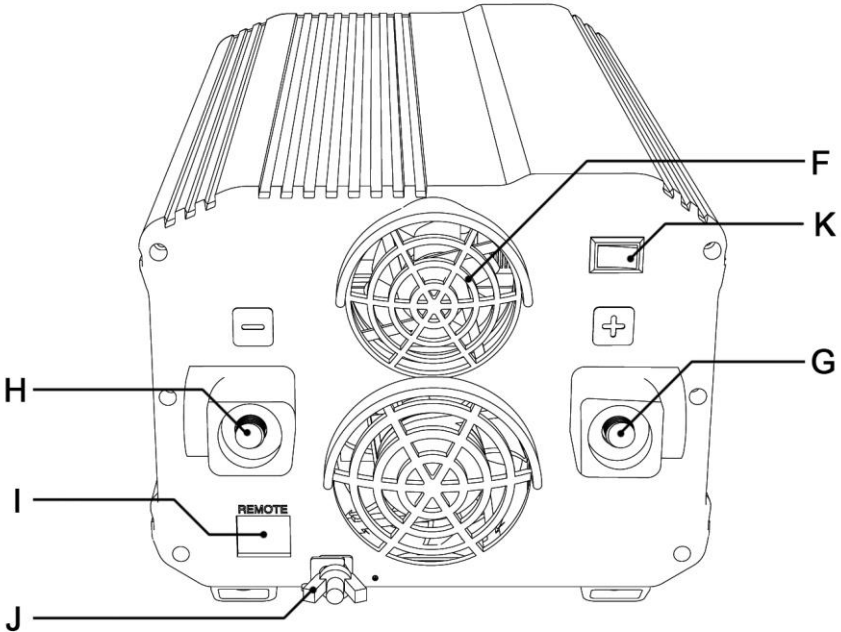
KR3000: Jacketed No. 10 Gauge copper 2-wires

KR4000: Jacketed No. 8 Gauge copper 2-wires

Some installation codes are required and we recommend use of oil-resistant cables rated for damp or wet locations. We would strongly recommend having this installed by a certified electrician since these wires will have a live current, if installed improperly, can be a fire or shock hazard.

Once installed, have the wires come through the front plate by removing the middle circle of the front plate. Once all connections are secure and properly installed and front plate is secured back onto the front of inverter, you can then turn inverter back ON to test out AC connection. Make sure to test AC output from newly installed wires with a TRUE RMS Volt Meter prior to operating from the Hard Wire connection.

Rear Panel KR3000 / KR4000



- F. High-Speed Cooling Fans. When the temperature inside the inverter exceeds a preset limit, the Cooling Fans automatically turn on to cool the inverter. When the temperature reduces, the fans turn off.
- G. Positive Power Input Terminal.
- H. Negative Power Input Terminal.
- I. Remote Control Receptacle.
- J. Ground Terminal.
- K. Main Switch is used for complete shutdown of the inverter.

Determining the DC Power Requirements

Powering multiple appliances from the high-power KR3000 / KR4000 inverter requires a 12 volt bank of batteries (several batteries). To calculate the approximate power in amps a 12 volt battery bank has to supply you need. To know the current, or amps required for powering the continuous AC load, a shortcut method is to divide the continuous AC load wattage by 10. For example, the continuous AC load is 3000 watts. The current (amps) is: $3000/10$ or 300 amps at 12 VDC.

Sizing the Battery Bank

To determine the minimum battery bank ampere-hour rating that you will need to operate appliances from the inverter, and any DC appliances powered by the battery bank, follow these steps:

1. List the maximum wattage that the inverter has to provide (as above).
2. Estimate the number of hours the appliances will be in use between battery recharges. This will differ depending on appliances. As an example, a typical home-use coffeemaker draws 500 watts during its brew time of 5 minutes; it maintains the temperature of the pot at about 100 watts. Typical use of a microwave oven is only for a few minutes. Some longer operating time appliances are lamps, TVs, computers and refrigerator / freezers.
3. Determine the total watt-hours of energy needed. Then multiply the average power consumption in watts by the number of hours of run time. For example: 3000 watts for 10 hours = 30,000 watt hours. Using the 3000 watts (or 300 Amps) for 10 hours example as above, then 300 amps is needed for 10 hours. This provides us with the basic amp-hours (AH) of battery that is required. Ten hours at 300 amps equals 3000 Amp Hours (AH).

This answer is just a beginning because there are other conditions that determine actual run time. These include:

- AC appliance load and time in use (basic Amp Hour)
 - Cable gauge and length (cable losses)
 - Charge level of the batteries (between use, chargers have to be able to fully charge the batteries)
 - Temperature of the batteries (colder batteries provide fewer amps)
 - Age and condition of the batteries (older batteries lose capacity/amp hours)
 - Compliance with turning off unnecessary AC and DC loads.
- If there is any doubt about sizing the battery bank, it is safe to overestimate the amp hour requirements of the battery bank.

Note:

The type of batteries you use to power your high power inverter is important. Operating a high-power inverter will routinely discharge batteries and they will require frequent recharging. Batteries used to start engines are not designed to repeatedly charge and discharge. Krieger® recommends using “deep-cycle” or “marine” rated batteries.

Cable Gauges

When connecting the inverter to a battery bank use the thickest stranded insulated copper wire available, in the shortest length practical.

Recommended cable gauges are as follows:

Model #	Recommended Gauges
KR1100	4AWG (3 ft. included W/ 110A inline ANL Fuse)
KR1500	2AWG (3 ft. included W/ 150A inline ANL Fuse)
KR2000	2AWG (3 ft. included W/ 200A inline ANL Fuse)
KR3000	0AWG (3 ft. included W/ 300A inline ANL Fuse)
KR4000	0AWG (3 ft. included W/ 400A inline ANL Fuse)

WARNING:**DANGER OF BATTERY EXPLOSION – INSTALL A FUSE**

Battery banks can deliver very high levels of current that can vaporize metal, start fires and cause explosions. Krieger® recommends installing one ANL type fuse and fuse holder close to the positive battery bank terminal. This fuse protects the batteries from accidental DC cable shorts, which can cause batteries to explode. ANL fuses and fuse holders are available at most marine supply stores.

CAUTIONS:

- Loose connections can result in a severe decrease in voltage that can cause damage to cables and insulation.
- Failure to make correct polarity (Pos, Neg) connection between the inverter and the battery bank can result in blowing fuses in the inverter and can permanently damage the inverter. Damage caused by reversed polarity is not covered under the Krieger® warranty.
- Making the connection to the Positive terminal may cause a spark as a result of current flowing to charge capacitors within the inverter. This is a normal occurrence.
- Because of the possibility of sparking, however, it is extremely important that both the inverter and the 12 volt battery be positioned far from any possible source of flammable fumes or gases. Failure to heed this warning could result in fire or explosion.
- Operating the inverter without correctly grounding the unit may result in electrical shock.

Mounting the Inverter

Your Krieger® Inverter should not be mounted under the hood of a vehicle.

If installing in a vehicle, choose a dry, cool, ventilated area closest to the battery as practical. Before drilling any mounting holes, make sure that there are no wires, fuel lines, or tanks directly behind the surface to be drilled. To mount the inverter:

1. Inverter must be OFF.
2. The inverter should be mounted horizontally.
3. Position the inverter against the mounting surface and mark locations of the mounting screw openings.
4. Remove the inverter and drill four mounting holes.
5. Fasten the inverter to the mounting surface using corrosion-resistant fasteners sized #10 or larger.

Connecting the Inverter

This inverter has two DC cable connections, one positive and one negative. The order of steps in the following procedure minimizes the danger of sparking near the battery bank.

1. Prepare all cable set ends with ring terminals at the battery ends.
2. Install one fuse holder with fuse in the Pos cable close to the battery bank end.
3. Make sure the inverter is OFF.
4. Ensure all appliance cords or extension cords are disconnected from the inverter.
5. Connect an appropriate stranded insulated wire to the enclosure ground terminal and connect the free end of the wire to the vehicle's chassis or any other ground point.
6. Connect the unfused cable to the Negative (-) terminal of the battery bank.
7. Connect the Negative cable to the Inverter's Negative (-) terminal.
8. Insulate the end of cable to be connected to the Pos (+) Inverter terminal.
9. Connect the fused cable to the battery bank Pos (+) terminal.
10. Connect the Pos cable end to the Pos (+) inverter terminal.

NOTE: Sparking is normal for the first connection.

Make sure you have good secure connections – Do not over-tighten.

Operation

1. Turn On the inverter.
2. Turn OFF the inverter.
3. When you have confirmed that the appliance to be operated is turned off, plug an appliance cord into one of the four 110v AC Outlets on the front panel of the inverter.
4. Turn ON the inverter.
5. Turn the appliance on.
6. Plug in additional appliances and turn them on.

Note:

The audible alarm may make a momentary "chirp" when the inverter is turned OFF. This same alarm may also sound when the inverter is being connected to or disconnected from the 12 volt battery bank.

Television and Audio Suggestions

Although all Krieger® inverters are shielded and filtered to minimize signal interference, some interference with your television picture may be unavoidable, especially in weak signal areas.

However, here are some suggestions that may improve reception:

1. First, make sure that the television antenna produces a clear signal under normal operating conditions. Also, ensure that the antenna cable is properly shielded and of good quality.
2. Change the positions of the inverter, antenna cables and TV power cord.
3. Isolate the TV, its power cord and antenna cables from the 12 volt power source by running an extension cord from the inverter to the television set.
4. Coil the television power cord and the input cables running from the 12 volt power source to the inverter.
5. Attach a "Ferrite Data Line Filter" to the television power cord. More than one filter may be required. These filters are available at most electronic supply stores.

Note:

Some inexpensive audio systems may produce a slight "buzzing" sound when operated with the inverter. The only solution to this problem is to use a sound system with better power supply filtering.

Operating a Microwave oven with Your Power Inverter

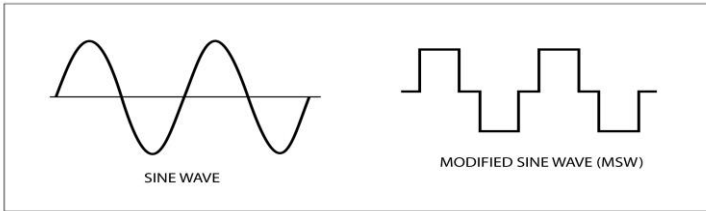
The power rating used with microwave ovens is the "cooking power" which means the power being "delivered" to the food being cooked. The actual operating power rating is listed on the back of the microwave. If the operating power cannot be found on the back of the microwave, check the owner's manual or contact the manufacturer.

How This Modified Sine Wave Power Inverter Works

There are two stages in which this power inverter changes the 12 volt DC (or battery) power into 110v AC (household current).

STAGE 1: This inverter uses a DC to DC converter to increase the DC input voltage from the battery to 145 volts DC.

STAGE 2: The inverter then converts the high voltage DC into 110v AC (household current), using advanced MOSFET transistor in a full bridge configuration. This design provides this Krieger® inverter with the capability to start and run difficult reactive loads, while providing excellent overload capability. The waveform that is generated by this conversion is a "modified sine wave" as shown in the diagram below.



Best use of Battery Power

Make sure any appliances are energy efficient and turned off after use. Use Compact Florescent Lamps. Wherever possible, charge with Solar Panels or Wind Generators. Do not allow lead acid batteries to remain discharged for long periods of time, they lose capacity (amp hours).

Disposal / Recycling of Inverter / California Proposition 65

Electronic products are known to contain materials that are toxic if improperly disposed. Contact local authorities for disposal and recycling information.

This inverter is certified to be "lead free." Transformers in this inverter contain nickel composites. Nickel is a known neuro-toxin if ingested.

Troubleshooting

PROBLEM: No Input Voltage

Reason	Solution
Poor contact with battery terminals.	Shut down inverter and disconnect. Clean terminals thoroughly and reconnect.
Blown DC battery fuse(s).	Turn off inverter. Fix problem. Replace fuse(s) with same type and rating.

PROBLEM: Inverter is Shut Down

Reason	Solution
Battery voltage below 10 Volts.	Charge or replace battery.
Inverter is too hot (thermal shut down mode). Will be indicated on LCD panel.	Allow inverter to cool. Check for adequate ventilation. Reduce the load on the inverter to rated continuous power.
Unit may be defective.	See warranty and call customer service.

PROBLEM: Low Battery Alarm on all the Time

Reason	Solution
Input voltage below 10.5 Volts. Will be indicated on LCD panel.	Keep input voltage above 10.5 Volts to maintain regulation.
Poor or weak battery condition.	Recharge or replace battery.
Inadequate power being delivered to the inverter or excessive voltage drop.	Use lower gauge (heavier) cable. Keep cable length as short as possible.

PROBLEM: TV does not Work

Reason	Solution
TV does not turn on.	Contact TV manufacturer to find out if the TV is compatible with a modified sine wave.

Specifications: KR3000

Specifications	Description
Output Continuous Watts (W)	3000W + 10W (USB)
Surge Capacity (Peak Power)	6000W
Rated Input DC (V,A)	12VDC, 322A
Input Voltage Range	10.5 to 15.5 VDC +/- 0.3V
Rated Frequency (Hz)	60 Hz±1
Rated Output AC (V,A)	115V +/- 10%, 26A
Rates Output USB (V,A)	4 * 5V/max. 2.1A (iPad)
No Load Current	<0.9A DC
Optimum Efficiency	90% min.
Fuse (A)	(125A*3)
Fuse Type	Internal Blade
Output Wave Form	Modified Sine Wave
Max. Touch Temperature	65°C Max
Operating Temperature	0° to 40°C
Operating/Storage Humidity RH	5 to 95%
Cooling System	Thermo Fan
THD	10 to 45%
Dimensions LxWxH (inches)	13.19 x 5.67 x 4.88
Assembled Weight (LBS)	7.58 lbs.

NOTE:

All specifications are typical at nominal line, half load, and 77°F (25°C) unless otherwise noted. Specifications are subject to change without notice.

Specifications: KR4000

Specifications	Description
Output Continuous Watts (W)	4000W +10W (USB)
Surge Capacity (Peak Power)	8000W
Rated Input DC (V,A)	12VDC, 430A
Input Voltage Range	10.5 to 15.5 VDC +/- 0.3V
Rated Frequency (Hz)	60 Hz±1
Rated Output AC (V,A)	115V +/- 10%, 34.8A
Rates Output USB (V,A)	4 * 5V/max. 2.1A (iPad)
No Load Current	<0.9A DC
Optimum Efficiency	90% min.
Fuse (A)	(150A*3)
Fuse Type	Internal Blade
Output Wave Form	Modified Sine Wave
Max. Touch Temperature	65°C Max
Operating Temperature	0° to 40°C
Operating/Storage Humidity RH	5 to 95%
Cooling System	Thermo Fan
THD	10 to 45%
Dimensions LxWxH (inches)	15.08 x 5.67 x 4.88
Assembled Weight (LBS)	9.48 lbs.

NOTE:

All specifications are typical at nominal line, half load, and 77°F (25°C) unless otherwise noted. Specifications are subject to change without notice.

Warranty and Return

Warranty by PowerBright

What does this warranty cover? This Limited Warranty is provided by PowerBright and covers defects in workmanship and materials in your KR3000 / KR4000. This warranty period lasts for 36 months from the date of purchase at the point of sale to you, the original end user customer. Proof of purchase is required to make warranty claims.

What will PowerBright do? PowerBright will, at its option, repair or replace the defective product free of charge, provided that you notify PowerBright of the product defect within the Warranty Period, and provided that PowerBright, through inspection, establishes the existence of such a defect and that it is covered by this Limited Warranty. PowerBright will, at its option, use new and / or reconditioned parts in performing warranty repair and building replacement products. PowerBright reserves the right to use parts or products of original or improved design in the repair or replacement. If PowerBright repairs or replaces a product, its warranty continues for the remaining portion of the original Warranty Period or 90 days from the date of the return shipment to the customer, whichever is greater. All replaced products and all parts removed from repaired products become the property of PowerBright. PowerBright covers both parts and labor necessary to repair the product, and return shipment to the customer via a PowerBright selected non-expedited surface freight within the contiguous United States and Canada. Alaska and Hawaii are excluded. Contact PowerBright Customer Service for details on freight policy for return shipments outside of the contiguous United States and Canada.

How do you get service? If your product requires troubleshooting or warranty service, contact your dealer. If you are unable to contact your dealer, or the dealer is unable to provide service, contact PowerBright directly at:

Toll Free: 1 866.295.6775

Website: www.PowerBright.com / www.KriegerMFG.com

Direct returns may be performed according to the PowerBright Return Material Authorization Policy described in your product manual. For

some products, PowerBright maintains a network of regional Authorized Service Centers. Call PowerBright or check our website to see if your product can be repaired at one of these facilities.

What does this warranty not cover? This Limited Warranty does not cover normal wear and tear of the product or costs related to the removal, installation, or troubleshooting of the customer's electrical systems. This warranty does not apply to, and PowerBright will not be responsible for, any defect in or damage to:

1. The product if it has been misused, neglected, improperly installed, physically damaged or altered, either internally or externally, or damaged from improper use or use in an unsuitable environment;
2. The product if it has been subjected to fire, water, generalized corrosion, biological infestations, or input voltage that creates operating conditions beyond the maximum or minimum limits listed in the PowerBright product specifications including high input voltage from generators and lightning strikes;
3. The product if repairs have been done to it other than by PowerBright or its authorized service centers (hereafter "ASCs");
4. The product if it is used as a component part of a product expressly warranted by another manufacturer;
5. The product if its original identification (trade-mark, serial number) markings have been defaced, altered, or removed.

Exclusions

If this product is a consumer product, federal law does not allow an exclusion of implied warranties. To the extent you are entitled to implied warranties under federal law, to the extent permitted by applicable law they are limited to the duration of this Limited Warranty. Some states and provinces do not allow limitations or exclusions on implied warranties or on the duration of an implied warranty or on the limitation or exclusion of incidental or consequential damages, so the above limitation(s) or exclusion(s) may not apply to you. This Limited Warranty gives you specific legal rights. You may have other rights which may vary from state to state or province to province.

Warning: Limitations On Use

Please refer to your product manual for limitations on uses of the product. SPECIFICALLY, PLEASE NOTE THAT THE KR3000 / KR4000 SHOULD NOT BE USED IN CONNECTION WITH LIFE SUPPORT SYSTEMS OR OTHER MEDICAL EQUIPMENT OR DEVICES.

WITHOUT LIMITING THE GENERALITY OF THE FOREGOING, POWERBRIGHT MAKES NO REPRESENTATIONS OR WARRANTIES

REGARDING THE USE OF THE KRIEGER KR3000 / KR4000
IN CONNECTION WITH LIFE SUPPORT SYSTEMS OR OTHER
MEDICAL EQUIPMENT OR DEVICES.

Return Material Authorization Policy

Before returning a product directly to PowerBright you must obtain a Return Material Authorization (RMA) number and the correct factory "Ship To" address. Products must also be shipped prepaid. Product shipments will be refused and returned at your expense if they are unauthorized, returned without an RMA number clearly marked on the outside of the shipping box, if they are shipped collect, or if they are shipped to the wrong location.

When you contact PowerBright to obtain service, please have your instruction manual ready for reference and be prepared to supply:

- The serial number of your product
- Information about the installation and use of the unit
- Information about the failure and / or reason for the return
- A copy of your dated proof of purchase.

Return Procedure

1. Package the unit safely, preferably using the original box and packing materials. Please ensure that your product is shipped fully insured in the original packaging or equivalent. This warranty will not apply where the product is damaged due to improper packaging.
2. Include the following:
 - The RMA number supplied by PowerBright Technology, Inc. clearly marked on the outside of the box.
 - A return address where the unit can be shipped. Post Office Boxes are not acceptable.
 - A contact telephone number where you can be reached during work hours.
 - A brief description of the problem.
3. Ship the unit prepaid to the address provided by your PowerBright customer service representative.

If you are returning a product from outside of the USA or Canada In addition to the above, you **MUST** include return freight funds and are fully responsible for all documents, duties, tariffs, and deposits.

Bienvenue

Veillez lire attentivement ce manuel avant d'installer et d'utiliser votre nouvel onduleur de courant Kriëger®. Le présent manuel contient les informations qui vous permettront d'obtenir les performances recherchées lors de votre utilisation. Conservez-le afin de vous y référer ultérieurement.

Cet onduleur Kriëger® convertit le courant continu (CC) basse tension en courant alternatif (CA) 110 Volts à onde sinusoïdale modifiée. Ce convertisseur génère du courant à partir de batteries 12 Volts à décharge profonde comme celles utilisées par les marins, pour les voiturettes de golf et les chariots élévateurs ou d'autres sources de courant 12 Volts de haute intensité.

Ce modèle KR3000 / KR4000 dont les performances ont été vérifiées par MET satisfait aux normes de sécurité des Laboratoires des Assureurs et de l'Association des Normes Canadiennes.

Un convertisseur d'une puissance supérieure peut s'avérer nécessaire

Afin de déterminer si le Kriëger® KR3000 / KR4000 fonctionnera avec un appareil ou un ensemble d'appareils, effectuez un test. Tous les convertisseurs sont conçus pour se couper automatiquement en cas de surtension. Cette protection particulière évite d'endommager la machine en testant des appareils dont l'addition des puissances avoisine les 3000/4000 watts. Commencer par allumer l'appareil doté de la plus grande puissance, puis les autres appareils. Si un ensemble d'appareils avoisinant les 3000/4000 watts ne fonctionne pas correctement, il est probable que ce type de convertisseur Kriëger® n'a pas la puissance nécessaire pour faire fonctionner les appareils en question.

MISES EN GARDE, PRÉCAUTIONS D'EMPLOI ET REMARQUES

Il est essentiel que tout utilisateur ou installateur de ce convertisseur lise et respecte l'ensemble des **MISES EN GARDE, PRÉCAUTIONS D'EMPLOI ET REMARQUES** ainsi que l'ensemble des consignes pour l'installation et le fonctionnement. Respectez en particulier les **MISES EN GARDE** (risque de blessure grave ou d'accident mortel), les **PRÉCAUTIONS d'EMPLOI** (risque d'endommager l'onduleur et/ou d'autres machines) ainsi que les **REMARQUES** (jointes pour vous aider à obtenir de cet onduleur de conception avant-gardiste les performances maximales et la plus longue durée de vie possible).

MISES EN GARDE : PUISSANCE PRODUITE PAR L'ONDULEUR

Ceci est une machine de forte puissance qui restitue des tensions proches de celles du courant alternatif secteur.

- Risque de commotion ou d'électrocution. Considérez la puissance de l'onduleur comme identique à celle du courant alternatif secteur.
- N'utilisez pas l'onduleur près de produits inflammables ou en tout lieu pouvant concentrer des vapeurs ou des gaz inflammables.
- Ceci est un appareil électrique susceptible de produire une brève étincelle lorsqu'un contact électrique est établi ou interrompu.
- Éviter tout contact de l'onduleur avec l'eau ou d'autres liquides.
- N'utilisez pas d'appareils dont les fils sont endommagés ou humides.

PRÉCAUTIONS D'EMPLOI : CONDITIONS D'UTILISATION DE L'ONDULEUR

La température de l'air environnant doit être comprise entre 20 et 40°C (idéalement entre 15 et 25°C).

- Si possible évitez toute exposition directe de l'onduleur à la lumière du soleil.
- Ne pas encombrer les alentours de l'onduleur afin de fluidifier la circulation de l'air autour de la machine. Ne rien poser sur l'onduleur ou au-dessus lors du fonctionnement. L'appareil se coupera si la température interne devient trop élevée. Redémarrez l'onduleur après refroidissement.
- Cet onduleur Kriëger® ne fonctionne qu'à partir d'une arrivée en 12 V. N'essayez pas de brancher l'onduleur sur tout autre type d'alimentation, y compris toute alimentation en courant alternatif.
- Ne pas inverser la polarité de l'entrée secteur sous peine d'annulation de la garantie.

PRÉCAUTIONS D'EMPLOI DES APPAREILS

- NE PAS brancher de chargeurs de piles pour appareils sans fil si le chargeur comporte une mise en garde indiquant la présence d'intensités dangereuses aux bornes des piles.
- Certains chargeurs de petites piles au nickel-cadmium ou au nickel-métal hybride peuvent d'être endommagés s'ils sont alimentés par cet onduleur. Deux types d'appareils risquent d'être endommagés :
 - o les petits appareils à piles, comme les piles électriques.
 - o les rasoirs sans fil et les brosses à dents qui se posent directement sur une base alimentée en courant alternatif.
- NE PAS utiliser cet onduleur avec les deux types d'appareils ci-dessus.

- La majorité des appareils portables n'ont pas ce problème. La plupart utilise un transformateur indépendant ou un chargeur qui se branche sur une base alimentée par le secteur pour fournir à l'appareil un courant continu ou alternatif basse tension. Si la plaque de l'appareil mentionne que le chargeur génère en sortie un courant continu ou alternatif basse tension (n'excédant pas 30 V) il n'y aura pas de problème lors de l'alimentation de ce chargeur ou de cet adaptateur.
- Certains ventilateurs à moteur synchrone peuvent voir leur vitesse de rotation augmenter lorsqu'ils sont alimentés par un onduleur. Ceci est sans conséquences pour le ventilateur ou l'onduleur.
- Positionnez les cordons d'alimentation ou les prolongateurs de façon à éviter tout pincement, écrasement ou abrasion, ou qu'ils provoquent des chutes.
- Utilisez des cordons d'alimentation certifiés compatibles avec des tensions égales ou supérieures à 15 A.
- Les disjoncteurs différentiels de fuite à la terre risquent de ne pas fonctionner avec l'alimentation par ondes sinusoïdales modifiées.
- Cet onduleur n'a pas été testé pour être utilisé avec des appareils médicaux.
- Cet onduleur n'a pas été testé pour un usage maritime.
- Si un signal sonore continu ou une coupure automatique se produisent, mettez immédiatement l'onduleur sur ARRÊT. Ne pas le redémarrer avant que le problème ait été identifié et corrigé.
- Lorsque vous essayez d'alimenter des batteries au plomb avec un courant en ondes sinusoïdales modifiées, surveillez la température de la batterie pendant une dizaine de minutes. Si le chargeur de batterie chauffe anormalement, débranchez-le immédiatement de l'onduleur.

Mise en marche

Lors de l'allumage d'un appareil à moteur électrique ou d'un outil, il se produit une surtension de démarrage. Cette surtension est connue sous le nom de « tension de démarrage » ou « tension de pointe ». Après le démarrage, l'outil ou l'appareil fonctionne avec une tension moindre. En termes de puissance requise, celle-ci est connue sous le nom de « tension en continu ». Il vous faudra déterminer quelle puissance est nécessaire au démarrage de votre outil ou de votre appareil (tension de démarrage) ainsi que celle requise en fonctionnement continu (tension en continu).

La consommation électrique est évaluée en watts et peut être déduite de nombre d'ampères (A). En général, cette information est collée ou imprimée sur la plupart des appareils et des matériels. Si cette information n'est pas portée sur l'appareil ou le matériel, consultez le manuel de l'utilisateur. S'agissant de matériels électro-sensibles, contactez le fabricant pour savoir si le matériel que vous utilisez est compatible avec le courant alternatif à ondes sinusoïdales modifiées.

En courant alternatif, le produit ampérage X tension = Puissance
Cette formule fournit une valeur approchée de la tension en continu de votre appareil.

La Puissance X 2 = Tension de démarrage de la plupart des appareils.

Cette formule fournit une valeur approchée de la tension de démarrage de la plupart des appareils, exception faite de ceux équipés d'un moteur électrique tels que les pompes, les congélateurs ou les climatiseurs. Ces appareils peuvent avoir une tension de démarrage jusqu'à huit fois supérieure à la puissance mesurée.

Panneau frontal du KR3000 / KR4000

- A. Affichage numérique ACL (voir ci-dessous le schéma ACL)
- B. Bouton d'alimentation : Le fait d'appuyer sur le bouton permet de mettre en marche (ON) ou d'arrêter (OFF) les circuits de l'onduleur.
- C. Bouton Menu : Appuyer sur ce bouton permet de faire basculer l'affichage entre la PUISSANCE DE SORTIE et la TENSION D'ENTRÉE.
- D. Deux sorties standard de type Nord-Américain pour courant alternatif, chacune de 15 A (1650W).
- E. Deux ports USB (2,1 A partagés) : ils permettent à l'utilisateur d'alimenter une ou deux tablettes compatibles 2,1 A ou deux systèmes de charge USB de 1 A, tels que des téléphones cellulaires.

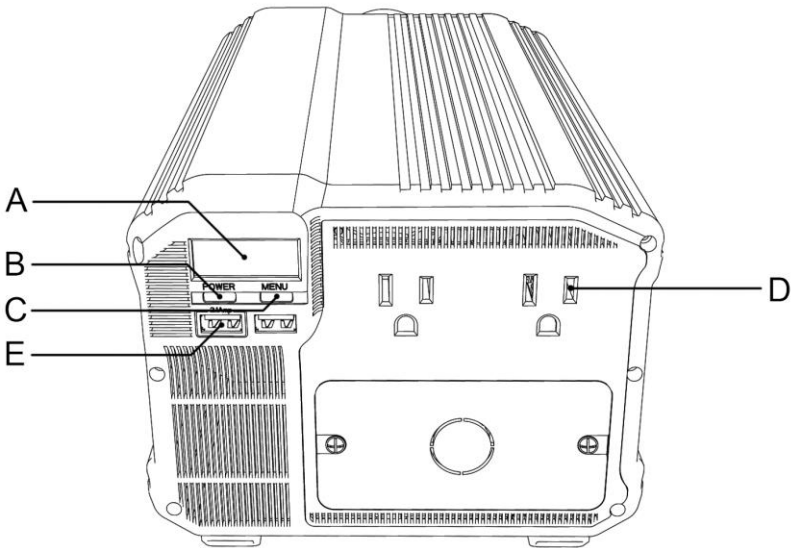
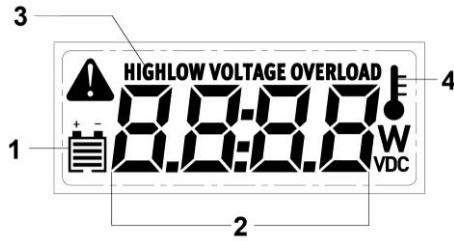


Schéma ACL



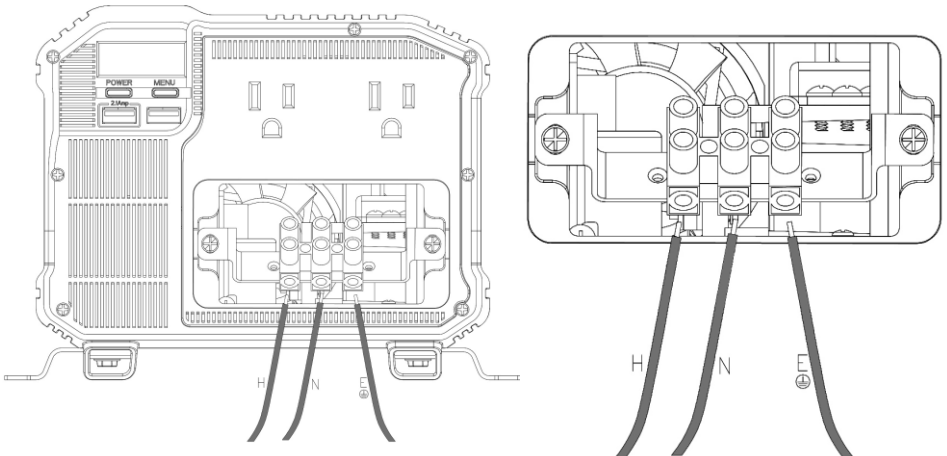
1. Niveau de charge de la batterie.
2. Affichage de la puissance en sortie (W) ou de la tension à l'entrée (VDC).
3. Indicateur d'alerte.
 - a. Haute tension.
 - b. Basse tension.
 - c. Surtension.
4. Coupure en cas de surchauffe.

Hardwire Instructions KR3000 / KR4000

Assurez-vous que l'appareil est complètement déconnecté de toute source d'alimentation et l'alimentation principale est complètement éteinte. Commencez par dévisser la plaque avant qui se trouve sous les 2 x prises de courant à l'avant de l'onduleur.

Vous verrez trois bornes de connexion, comme illustré ci-dessous:

H: (HOT) Phase
N: (NEUTRAL) Neutre
E: (EARTH) Terre



Câblage recommander pour sortie CA :

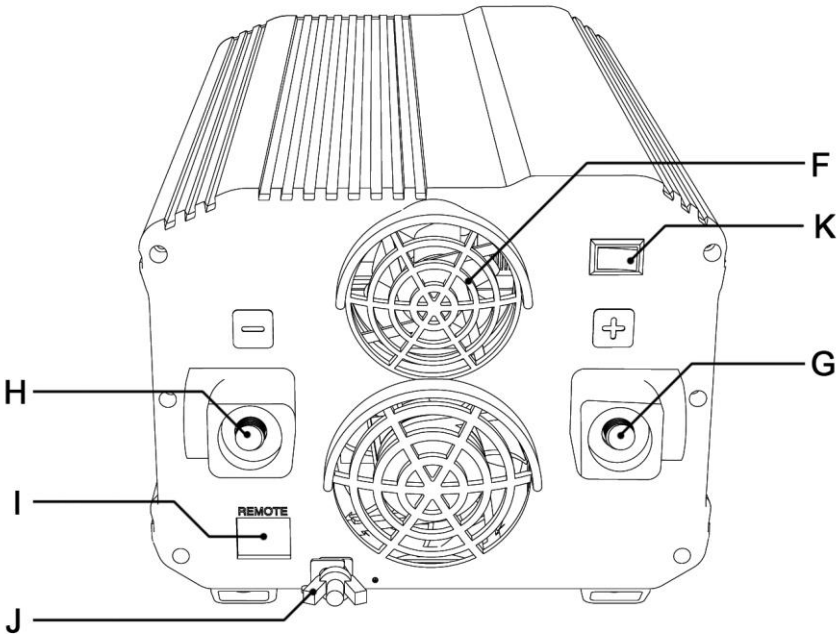
KR3000: 10 AWG Conducteur Cuivre

KR4000: 8 AWG Conducteur Cuivre

Certains codes d'installation sont nécessaires et nous vous recommandons d'utiliser des câbles résistants à l'huile pour des endroits humides ou mouillés. Nous recommandons une installation par un électricien certifié, une installation incorrecte, peut créer un risque d'incendie ou de choc.

Une fois installé, passer les fils à travers la plaque avant en retirant le cercle du milieu de la plaque. Une fois toutes les connexions sont sécurisées et correctement installés et la plaque avant est fixé à nouveau sur le devant de l'onduleur, vous pouvez activer l'inverseur de nouveau sous tension pour tester la connexion CA. Assurez-vous de tester la sortie CA avec un multimètre TRMS avant d'utiliser la connexion.

Panneau arrière du KR3000 / KR4000



- F.** Ventilateur de refroidissement à grande vitesse : lorsque la température à l'intérieur de l'onduleur dépasse une limite prééglée, le ventilateur de refroidissement se met en marche automatiquement pour refroidir l'onduleur. Lorsque la température diminue, le ventilateur s'arrête.
- G.** Entrée d'alimentation (+).
- H.** Entrée d'alimentation (-).
- I.** Base de la télécommande.
- J.** Mise à la terre.
- K.** L'interrupteur principal permet d'éteindre intégralement l'onduleur.

Détermination des puissances requises en courant continu.
L'alimentation de plusieurs appareils à partir de l'onduleur haute-puissance KR3000 / KR4000 requiert l'emploi d'une série de batteries (plusieurs batteries). Pour calculer approximativement le nombre d'amères qu'une batterie de 12 V doit fournir il vous faut connaître

l'intensité du courant, (ou ampérage) nécessaire pour l'alimentation secteur en tension continue. Une méthode rapide consiste à diviser par 10 la puissance en continu de l'alimentation secteur.

Par exemple, si le courant secteur fournit 3000 W, l'ampérage est de $3000 : 10$ soit 300 A pour 12 V en continu.

Combien de batteries dans la série?

Afin de déterminer le nombre minimum d'ampères/heure de la série de batteries qui sera nécessaire pour alimenter les appareils à partir de l'onduleur ou tous autres appareils fonctionnant sur le secteur, procédez par étapes comme suit :

1. Déterminez le nombre de watts que doit fournir l'onduleur (voir plus haut).
2. Évaluez le nombre d'heures pendant lesquelles les appareils seront utilisés entre deux recharges. Ce nombre varie selon les appareils. Par exemple, une machine à café familiale classique consomme 500 W pendant les 5 min que dure la percolation ; elle maintient la température de la cafetière à environ 100 W. En général, la durée d'utilisation d'un four à micro-ondes n'excède pas quelques minutes. Parmi les appareils dont le temps d'allumage est plus long figurent le téléviseur, l'ordinateur ainsi que les réfrigérateurs/congérateurs.
3. Déterminez la quantité d'énergie nécessaire en W/heure. Puis, multipliez la puissance moyenne consommée en watts par le nombre d'heures de fonctionnement. Par exemple, 3000 W pendant 10 h = 30000 W/h. En reprenant l'exemple ci-dessus de 3000 W (ou 300 A) pendant 10 h, cela signifie que 300 A seront nécessaires pendant 10 h. Ceci nous donne l'ampérage horaire (A/h) nécessaire à la batterie. Ce résultat n'est qu'un début car d'autres conditions ont une part dans la détermination du temps de fonctionnement réel. Ce sont:
 - Tension en courant alternatif de l'appareil et temps de fonctionnement (A /h de base);
 - Section et longueur des cordons (pertes à l'alimentation);
 - Le niveau de charge des batteries (entre chaque utilisation, les chargeurs doivent pouvoir recharger totalement les batteries);
 - La température des batteries (des batteries froides fournissent moins d'ampères);
 - L'âge et l'état des batteries (des batteries anciennes perdent de leur capacité à fournir des A /h);
 - La conformité avec la capacité de supprimer les tensions inutiles en courant continu et alternatif;

En cas de doute à propos de la taille de la série de batteries, il est plus prudent de surestimer les besoins en A/h de la série de batteries.

Remarque:

Le type de batteries que vous utilisez pour alimenter votre onduleur en puissance est très important. Le fonctionnement d'un convertisseur haute-puissance va régulièrement décharger les batteries, qui vont nécessiter de fréquentes recharges. Les batteries utilisées pour lancer un moteur ne sont pas conçues pour être constamment chargées et déchargées. Krieger® recommande d'utiliser des batteries au plomb (« cycle profond ») ou calibrées pour une utilisation maritime.

Sections des cordons

Pour connecter l'onduleur à une série de batteries, utilisez un câble dont l'isolation du fil de cuivre est la plus épaisse qui soit, et de la plus petite longueur nécessaire.

Voici les sections de câble recommandées:

Model #	Recommended Gauges
KR1100	4AWG (3 ft. included W/ 110A inline ANL Fuse)
KR1500	2AWG (3 ft. included W/ 150A inline ANL Fuse)
KR2000	2AWG (3 ft. included W/ 200A inline ANL Fuse)
KR3000	0AWG (3 ft. included W/ 300A inline ANL Fuse)
KR4000	0AWG (3 ft. included W/ 400A inline ANL Fuse)

MISE EN GARDE :

DANGER D'EXPLOSION DE LA BATTERIE – INSTALLEZ UN FUSIBLE

Des batteries en série peuvent générer de très hautes intensités capables de provoquer des émanations de vapeurs métalliques, des incendies et des explosions. Krieger® recommande l'installation d'un fusible et porte-fusible de type ANL près de la borne + de la série de batteries. Ce fusible protège les batteries contre les court-circuits accidentels dans les câbles en courant continu qui peuvent provoquer l'explosion des batteries. Les fusibles et porte-fusibles ANL sont disponibles dans la plupart des magasins d'accastillage.

PRÉCAUTIONS D'EMPLOI:

- Des connexions défectueuses peuvent engendrer une chute de tension importante susceptible d'endommager les câbles et l'isolation.
- Le non-respect des polarités (plus/moins) lors de la connexion entre l'onduleur et la batterie peut engendrer la destruction des fusibles à l'intérieur de l'onduleur et l'endommager définitivement. Les dégâts consécutifs à l'inversion des polarités ne sont pas couverts par la garantie Kriëger®.
- La connexion à la borne + peut provoquer une étincelle due à l'entrée du courant de charge dans les condensateurs situés à l'intérieur de l'onduleur. Ceci n'a rien d'anormal.
- Cependant, à cause de l'éventualité d'une étincelle, il est extrêmement important qu'aussi bien l'onduleur que la batterie 12 V soient placés aussi loin que possible de toute source de vapeurs ou de gaz inflammables. Le non-respect de cette mise en garde pourrait provoquer un incendie ou une explosion.
- L'utilisation de l'onduleur sans une mise à la terre conforme de la machine peut engendrer un risque de décharge électrique.

Montage de l'onduleur

Ne pas monter votre onduleur Kriëger® sous le capot d'un véhicule.

En cas d'installation dans un véhicule, choisir un endroit sec, frais et aéré, aussi proche que possible de la batterie. Avant tout forage des trous de fixation, assurez-vous de l'absence de fils électriques, de tuyaux d'alimentation en carburant ou de réservoirs juste en-dessous de la partie à percer. Pour monter l'onduleur :

1. L'onduleur doit être en position ARRÊT;
2. L'onduleur doit être monté horizontalement;
3. Placez l'onduleur contre la surface de fixation et marquez les emplacements des trous des vis de fixation;
4. Retirez l'onduleur et percez quatre trous de fixation;
5. Fixez l'onduleur à la surface d'installation à l'aide d'éléments de fixation de taille 10 ou supérieure traités anticorrosion.

Branchement de l'onduleur

Cet onduleur dispose de deux câbles d'alimentation secteur, un positif et un négatif. L'ordre des étapes dans la procédure ci-dessous limite les risques de production d'étincelles près de la série de batteries.

1. Préparez toutes les extrémités du câblage munis de cosses à anneaux près des bornes des batteries; .
2. Installer un porte-fusible et son fusible sur le câble positif près de la borne de la série de batteries;

3. Assurez-vous que l'onduleur est en position ARRÊT;
4. Vérifiez que tous les cordons et prolongateurs des appareils ne sont pas branchés sur l'onduleur;
5. Branchez un toron convenablement isolé au boîtier de la borne de terre et reliez l'extrémité libre au châssis ou à tout autre lien à la terre ;
6. Branchez le câble non muni d'un fusible à la borne négative (-) de la série de batteries ;
7. Reliez le câble négatif (-) à la borne négative (-) de l'onduleur;
8. Isolez l'extrémité du câble à relier à la borne positive (+) du convertisseur;
9. Connectez le câble muni d'un fusible à la borne positive (+) de l'onduleur;
10. Reliez l'extrémité du câble positif à la borne positive (+) de l'onduleur.

REMARQUE : Il est normal que des étincelles se produisent lors du premier branchement. Veillez à la qualité et à la sécurité des connexions
- Ne pas trop serrer.

Mise en marche

1. Mettez l'onduleur en marche (ON);
2. Éteignez l'onduleur (OFF);
3. Après confirmation du fait que l'appareil à faire fonctionner est éteint (OFF), branchez le cordon de l'appareil dans l'une des deux prises 110 V alternatif situées sur le panneau de façade de l'onduleur;
4. Mettez l'onduleur en marche (ON);
5. Branchez les autres appareils et mettez-les en marche (ON).

Remarque :

Il arrive que l'alarme sonore émette temporairement un « pépiement » lorsque l'on éteint l'onduleur (OFF). Cette même alarme peut également sonner lorsque l'on connecte l'onduleur à la série de batteries 12 V ou lors de la déconnexion.

Suggestions pour la réception TV et audio

Bien que tous les onduleurs Kriëger® soient protégés et munis de filtres afin de minimiser les interférences de signaux, une certaine interférence avec votre image télévisuelle peut s'avérer inévitable, en particulier dans les zones de faible réception.

Voici cependant quelques suggestions susceptibles d'améliorer votre réception :

1. Assurez-vous tout d'abord que l'antenne télé produise un signal clair dans les conditions de fonctionnement normales ; Vérifiez

également que le câble de l'antenne soit suffisamment protégé et de bonne qualité;

2. Changez de place l'onduleur, les câbles de l'antenne et le cordon d'alimentation du récepteur;
3. Isolez le téléviseur, son cordon d'alimentation et les câbles de l'antenne de la source en 12 V en reliant l'onduleur et le téléviseur par un prolongateur.
4. Enroulez le cordon d'alimentation du téléviseur et les câbles reliant la source 12 V à l'onduleur;
5. Installez un filtre d'entrée en ferrite sur le cordon d'alimentation du téléviseur. Plusieurs filtres peuvent s'avérer nécessaires. Ces filtres sont disponibles dans la plupart des magasins d'équipement électronique.

Remarque:

Certains appareils audio bon marché peuvent produire un léger « bourdonnement » lorsqu'ils fonctionnent avec l'onduleur. La seule solution à ce problème consiste à utiliser un appareil audio disposant d'une meilleure filtration de l'alimentation.

Utilisation d'un four à micro-ondes avec l'onduleur

La puissance utilisée pour les fours à micro-ondes est la « puissance de cuisson », ce qui signifie la puissance « délivrée » aux aliments lors de la cuisson. La puissance réelle absorbée lors du fonctionnement est indiquée à l'arrière du micro-ondes. Si la puissance de fonctionnement n'est pas portée à l'arrière du micro-ondes, consultez le manuel de l'utilisateur ou contactez le fabricant.

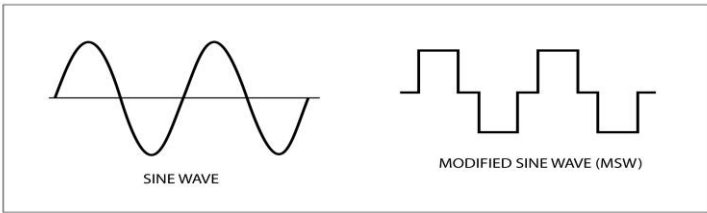
Comment fonctionne cet onduleur à ondes sinusoïdales modifiées

Cet onduleur transforme un courant direct (d'une batterie) en courant alternatif 110 V ou courant domestique en deux étapes.

ÉTAPE 1 : Cet onduleur utilise un convertisseur continu/continu pour élever le voltage fourni par la batterie jusqu'à 145 V en continu;

ÉTAPE 2 : L'onduleur convertit ensuite le courant continu haut voltage en 110 V alternatif (courant domestique) en utilisant un transistor à effet de champ à ondes métalliques (MOSFET) dans une configuration en pont intégral. Cette conception dote l'onduleur de la capacité de générer et de gérer des charges réactives problématiques tout en assurant une excellente capacité en surcharge. La forme d'onde générée par cette

conversion est une « onde sinusoïdale modifiée » représentée dans la figure ci-dessous:



Utilisation optimale de la puissance de la Batterie

Utilisation optimale de la puissance de la Batterie

Assurez-vous que tous les appareils ont un rendement énergétique élevé et sont éteints après usage. Utilisez des ampoules fluorescentes compactes. Chaque fois que cela est possible, rechargez à l'aide de générateurs solaires ou éoliens. Ne laissez pas les batteries au plomb et à l'acide sans charge pendant de longues périodes. Cela diminue leurs performances (A/h).

Mise à la décharge/Recyclage de l'Onduleur./ Proposition 65 de la Californie

On sait que les produits électroniques contiennent des matières qui sont toxiques si on les met à la décharge d'une façon impropre. Contacter les responsables locaux pour obtenir des renseignements sur la mise à la décharge et le recyclage.

Cet onduleur est certifié « sans plomb ». Les convertisseurs de cet onduleur contiennent des composants au nickel. En cas d'ingestion, le nickel est réputé neurotoxique.

Dépannage

PROBLÈME : Aucune tension d'entrée

Raison	Solution
Mauvais contact avec les bornes de la batterie.	Éteindre l'onduleur et le débrancher. Nettoyer soigneusement les bornes puis rebrancher.
Fusible(s) de la batterie CC grillé(s).	Éteindre l'onduleur. Résoudre le problème. Remplacer le (les) fusible(s) par des fusibles du

	même type et ampérage.
--	------------------------

PROBLÈME : L'onduleur est éteint

Raison	Solution
La tension de la batterie est inférieure à 10 Volts.	Charger ou remplacer la batterie.
L'onduleur est trop chaud (mode hors tension de protection thermique). S'affiche sur l'écran ACL.	Laissez l'onduleur refroidir. Vérifier l'état de la ventilation. Réduire la charge au niveau de l'onduleur à la puissance nominale.
L'appareil est peut-être défectueux.	Consulter la garantie et appeler le service à la clientèle.

PROBLÈME : Alarme de batterie faible en continu

Raison	Solution
Tension d'entrée inférieure à 10,5 Volts. Elle est indiquée sur l'affichage ACL.	Conserver la tension d'entrée au-dessus de 10,5 Volts afin de maintenir la régulation.
Batterie faible ou en mauvais état.	Recharger ou remplacer la batterie.
Puissance inadéquate au niveau de l'onduleur ou baisse de tension trop importante.	Utiliser un câble d'une section inférieure (plus épaisse). Utiliser la plus petite longueur de câble possible.

PROBLÈME : Le téléviseur ne fonctionne pas

Raison	Solution
Le téléviseur ne fonctionne pas.	Contactez le fabricant pour vous assurer que le téléviseur est compatible avec une onde sinusoïdale modifiée.

Spécifications: KR3000

Spécifications	Description
Puissance continue de sortie (W)	3000W + 10W (USB)
Capacité de surtension (Puissance en crête)	6000W
Tension nominale CC (V, A)	12VDC, 322A
Plage de tension d'entrée	10.5 to 15.5 VDC +/- 0.3V
Fréquence nominale (Hz)	60 Hz±1
Sortie nominale CA (V, A)	115V +/- 10%, 26A
Puissance de sortie USB (V, A)	4 * 5V/max. 2.1A (iPad)
Courant sans charge	<0.9A CC
Efficacité optimale	90% min.
Fusible (A)	(125A*3)
Type de fusible	Interne, à lame
Forme d'onde de sortie	Onde sinusoïdale modifiée
Température de toucher max	65°C Max
Température de fonctionnement	0° à 40° C
Humidité HR de fonctionnement/stockage	5 to 95%
Système de refroidissement	Ventilateur thermo-régulé
THD	10 à 45 %
Dimensions LxWxH (cm)	33.5 x 14.4 x 12.4
Poids une fois assemblé (kg)	3.43

REMARQUE:

Sauf indications contraires, toutes les spécifications sont standard au niveau nominal, en demi-charge et à 25° C. Spécifications sujettes à modifications sans préavis.

Spécifications: KR4000

Specifications	Description
Puissance continue de sortie (W)	4000W +10W (USB)
Capacité de surtension (Puissance en crête)	8000W
Tension nominale CC (V, A)	12VDC, 430A
Plage de tension d'entrée	10.5 to 15.5 VDC +/- 0.3V
Fréquence nominale (Hz)	60 Hz±1
Sortie nominale CA (V, A)	115V +/- 10%, 34.8A
Puissance de sortie USB (V, A)	4 * 5V/max. 2.1A (iPad)
Courant sans charge	<0.9A DC
Efficacité optimale	90% min.
Fusible (A)	(150A*3)
Type de fusible	Internal Blade
Forme d'onde de sortie	Modified Sine Wave
Température de toucher max	65°C Max
Température de fonctionnement	0° to 40°C
Humidité HR de fonctionnement/stockage	5 to 95%
Système de refroidissement	Ventilateur thermo-régulé
THD	10 à 45 %
Dimensions LxWxH (cm)	38.3 x 14.4 x 12.4
Poids une fois assemblé (kg)	4.3

REMARQUE:

Sauf indications contraires, toutes les spécifications sont standard au niveau nominal, en demi-charge et à 25° C. Spécifications sujettes à modifications sans préavis.

Garantie et Retour

La Garantie PowerBright

Que couvre cette garantie ? Cette garantie limitée est fournie par PowerBright et couvre les vices de main d'oeuvre et de matériel de votre KR3000 / KR4000. La durée de la garantie est de 12 mois, à compter de la date de l'achat au point où l'appareil a été vendu à vous, l'acheteur initial et l'utilisateur final. La preuve de l'achat est exigée lors d'une demande de couverture par la garantie.

Que fera PowerBright ? À sa discrétion, Powerbright réparera ou remplacera gratuitement le produit défectueux à condition que vous signaliez à PowerBright le défaut du produit pendant la durée de la garantie et à condition que PowerBright, après examen du produit, ait établi l'existence d'un tel défaut et que celui-ci soit couvert par cette Garantie Limitée.

À sa discrétion, PowerBright utilisera des pièces neuves et/ou reconditionnées lors des réparations effectuées sous garantie et de la construction de produits de remplacement. PowerBright se réserve le droit d'utiliser des produits de conception originale ou améliorée lors de la réparation ou du remplacement. Si PowerBright répare ou remplace un produit, sa garantie se poursuit soit pendant tout l'en-cours restant de la garantie d'origine ou pendant 90 jours à compter de la date de réexpédition au client – la plus longue des deux périodes. Tous les produits remplacés et toutes les pièces retirées des produits réparés deviennent la propriété de PowerBright. PowerBright couvre les pièces et la main d'œuvre nécessaires à la réparation du produit et la réexpédition au client confiée à un transport non-express par voie terrestre à l'intérieur des zones frontalières des USA et au Canada. L'Alaska et Hawaï ne sont pas concernés. Prenez contact avec le Service Clientèle de PowerBright pour les réexpéditions en dehors de la zone Canada frontalière des É.-U. et du Canada.

Comment obtenir une assistance ? Si votre produit nécessite une assistance pour la recherche de panne ou la garantie, prenez contact avec votre revendeur. Si vous ne pouvez pas contacter votre revendeur, ou si le revendeur n'est pas en capacité de fournir cette assistance, prenez contact directement avec PowerBright au N° suivant:

Numéro sans frais: 1 866.295.6775

Internet:

www.PowerBright.com / www.KriegerMFG.com

Les retours directs peuvent être effectués selon le Règlement en matière d'Autorisation de retour de Matériel élaboré par Powerbright détaillé dans votre manuel d'utilisation du produit. Pour certains produits, PowerBright conserve un réseau régional de Centres de SAV agréés. Appelez PowerBright ou consultez le site Internet pour voir si votre produit peut être réparé dans l'un de ces établissements.

Quelles sont les exclusions de cette garantie ? Cette Garantie Limitée ne couvre pas l'usure normale du produit ainsi que les frais liés à l'enlèvement, l'installation ou la recherche de pannes des appareils électriques du client. Cette garantie ne s'applique pas – et PowerBright ne sera pas tenu pour responsable de tout défaut ou dommage causé :

1. au produit s'il a été mal utilisé, négligé, mal installé, physiquement endommagé ou modifié, soit intérieurement soit extérieurement, ou endommagé à la suite d'une utilisation inappropriée ou dans un environnement inadapté;
2. au produit s'il a été exposé au feu, à l'eau, à une corrosion généralisée, à des infestations biologiques ou à une tension en entrée ayant engendrés des conditions d'utilisation dépassant les limites maximales ou minimales figurant dans la liste des caractéristiques du produit établie par PowerBright, parmi lesquelles les surtensions en entrée et la foudre;
3. au produit si des réparations ont été effectuées par d'autres intervenants que PowerBright ou ses Centres d'Assistance agréés (ci-après nommés ASCs)
4. au produit s'il est utilisé comme un élément faisant partie d'un produit expressément garanti par un autre fabricant;
5. au produit si les indications concernant son identification d'origine (marque déposée, N° de série) ont été dégradées, modifiées ou effacées.

Exclusions de la garantie

Si ce produit est destiné à un consommateur, la loi fédérale n'autorise pas l'exclusion des garanties implicites. Dans la mesure où vous avez droit aux garanties implicites de par la loi fédérale, dans les limites permises par la loi en vigueur, elles sont limitées à la durée de la Garantie Limitée. Certains états et certaines provinces n'autorisent aucunes limitations ou exclusions de garantie implicite ou sur la durée d'une garantie implicite ou sur la limitation ou l'exclusion des dommages directs ou indirects, il est donc possible que la/les limitation(s) ou exclusion(s) ci-dessus ne s'appliquent pas à vous. Vous pouvez avoir d'autres droits qui varient d'un état à un autre ou d'une province à l'autre.

Mise en garde : Limitations concernant l'utilisation

Veillez consulter votre manuel au sujet des limitations concernant l'utilisation du produit. EN PARTICULIER, VEUILLEZ NOTER QUE LE KR3000 / KR4000 NE DOIT PAS ÊTRE UTILISÉ EN ASSOCIATION AVEC LES SYSTÈMES DE MAINTIEN DES FONCTIONS VITALES OU TOUS AUTRES MATÉRIELS OU DISPOSITIFS MÉDICAUX ;

SANS LIMITER LA PORTÉE GÉNÉRALE DE CE QUI PRÉCÈDE, POWERBRIGHT NE FAIT AUCUNES DÉCLARATIONS OU GARANTIES À PROPOS DE L'UTILISATION DU KRIEGER KR30100 / KR4000 EN LIAISON AVEC DES SYSTÈMES DE MAINTIEN DES FONCTIONS VITALES OU D'AUTRES MATÉRIELS OU DISPOSITIFS MÉDICAUX .

Règles concernant l'autorisation de retour de matériel

Avant de retourner un produit directement à PowerBright vous devez obtenir un numéro d'Autorisation de Retour de Matériel (RMA) ainsi que l'adresse exacte de l'usine « Destinataire ». Les expéditions de produits seront refusées et renvoyées à vos frais si elles n'ont pas reçu une autorisation, si elles sont retournées sans un numéro RMA clairement porté sur l'emballage du colis, envoyées en port dû ou expédiées à une adresse erronée.

Lorsque vous contactez PowerBright pour obtenir une assistance, veuillez préparer votre manuel d'utilisation pour vous y référer. Préparez-vous à fournir :

- le numéro de série de votre produit;
- des renseignements concernant l'installation et l'utilisation de la machine;
- des renseignements à propos de la panne et/ou la raison du renvoi ;
- une copie de la preuve d'achat portant la date.

Procédure de Retour

1. Emballez solidement la machine, de préférence en utilisant le carton et les matériaux d'emballage d'origine. Assurez-vous que le produit est parfaitement protégé dans l'emballage d'origine ou un emballage équivalent. Cette garantie ne s'appliquera dans les cas où le produit est endommagé à cause d'un emballage défectueux.
2. Joignez les éléments suivants :

- le numéro RMA fourni par PowerBright Technology Inc. clairement indiqué sur l'extérieur du colis;
 - une adresse de retour à laquelle la machine peut être réexpédiée. Les colis de la Poste ne sont pas acceptés;
 - un contact téléphonique où l'on peut vous joindre pendant les heures ouvrées;
 - une description succincte du problème.
3. Expédiez la machine en port prépayé à l'adresse fournie par l'agent du Service Clientèle de PowerBright.

Si vous renvoyez un produit d'un lieu situé en dehors des É.-U. ou du Canada, vous devez impérativement, en plus des éléments ci-dessus, joindre les coûts d'acheminement; de plus, les documents, droits, tarifs et acomptes sont entièrement de votre responsabilité.